

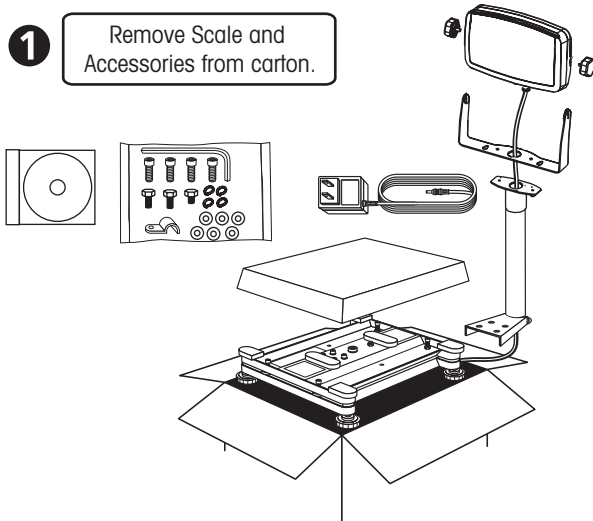


# DEFENDER SERIES SCALES

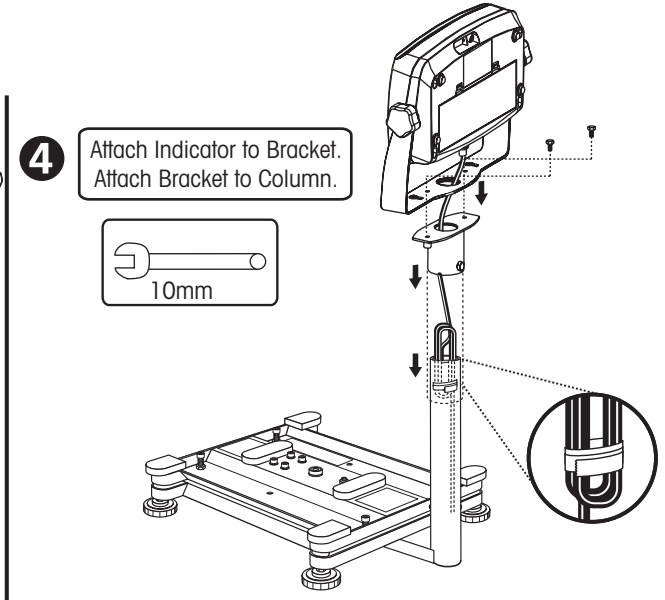
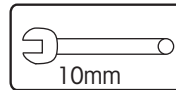
## Assembly Instructions

(Refer to Documentation CD  
for operating instructions)

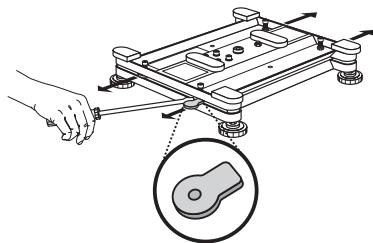
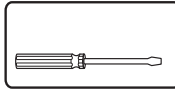
**1** Remove Scale and Accessories from carton.



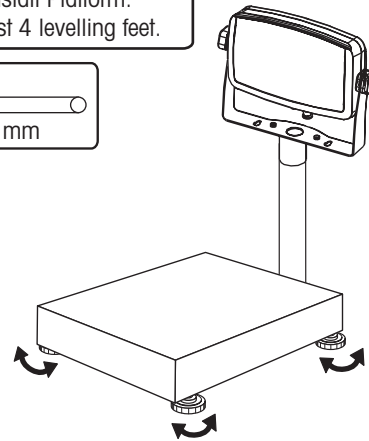
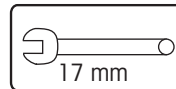
**4** Attach Indicator to Bracket. Attach Bracket to Column.



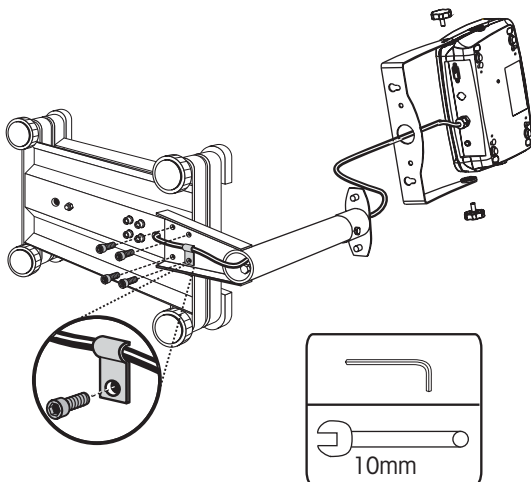
**2**  Remove Shipping Spacers.



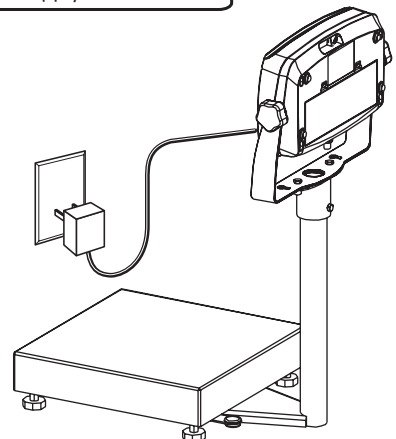
**5** Install Platform. Adjust 4 levelling feet.



**3** Attach Column and secure Load Cell Cable.







**6** Connect Power Cord to Indicator. Plug Power Supply to Wall Outlet.





## OVERVIEW OF CONTROLS AND FUNCTIONS

Button	 Yes	 No	 Back	 Exit
Primary Function (Short Press)	<b>ON/ZERO</b> Turns the Indicator on.  If Indicator is On, sets zero.	<b>PRINT</b> Sends the current value to the COM port if AUTOPRINT is set to Off.	<b>FUNCTION</b> Initiates an application mode.	<b>TARE</b> Performs a tare operation.
Secondary Function (Long Press)	<b>Off</b> Turns the Indicator off.	<b>Units</b> Changes the weighing Unit.	<b>Mode</b> Allows changing the application mode.  Press and hold allows scrolling through modes.	<b>Menu</b> Enter the User menu.
Menu Function (Short Press)	<b>Yes</b> Accepts the current setting on the display.	<b>No</b> Advances to the next menu or menu item.  Rejects the current setting on the display and advances to the next available setting.  Increments the value.	<b>Back</b> Moves Back to previous menu item.  Decrements the value.	<b>Exit</b> Exits the User menu.  Aborts the calibration in progress.

**NOTE: REFER TO DEFENDER SERIES CD DISK FOR COMPLETE INSTRUCTIONS**



\* 8 0 2 5 1 0 5 7 \*

P/N 80251057 © Ohaus Corporation 2006, all rights reserved.

Printed in China